

RICHARD PARKING LED

IP54

CE  LM-79 LM-80

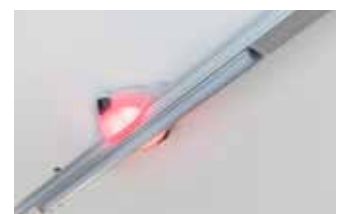


Veko's Richard line provides years of trouble-free lighting for your indoor or underground car park. The robust luminaires keep out dust and moisture, the system's energy efficiency is second to none and the entire space is perfectly lit. The Richard's wide-beam lamps deliver excellent uniformity at floor level, so that the luminaires can even be mounted directly over the middle of the internal roadway.

The Richard features a untreated aluminium profile designed specially for car parks, in which other parking systems are easily incorporated. Sensors guide the driver smoothly to an available space. The profile is vandal-resistant thanks to its heavy-duty mount. The use of aluminium in our linear lighting also ensures a great temperature management: Veko LED lighting operates effortlessly at ambient temperatures from -20 °C - to 35 °C or even higher. At Veko, an warranty of 10 years is therefore possible.

To save even more on your energy costs, choose a light management system. Thanks to intelligent control, your main and emergency lighting requires less maintenance and the dimming function of the luminaires operates more efficiently.

Veko's linear lighting are not only some of the most energy-efficient in the world, but also the most sustainable. The equipment is supplied with virtually no packaging, is 100 per cent recyclable and is easily refurbished, even after 45 years.



CLEVER
SWIFT
SOLID

Technical information

Length	1,030 mm	1,530 mm	2,030 mm
Output flux	1,700 - 18,050 lm		
Wattage	11,3 - 122,4 W		
Voltage	220 - 240 V		
Frequency	50 ÷ 60 Hz		
Power factor	>0.95		
Drivers	Signify or Osram		
Operational temperature	-20 °C to +35 °C		
Weight	Approx. 3 - 4.5 kg/m including profile and accessories		
Application	Parking garages and low areas		
Installation height	2 - 4 m		
Colour temperature	Natural white (± 4,000 K) On request other colour temperatures possible (3,000 - 6,500 K)		
Colour Rendering Index (CRI)	>80		
Lens optic	Wide, X-Wide and Diffuse		
Cover material	Polycarbonate		
Material	Anodized aluminium		
Colour	Anodized		
Impact resistance	IK10		
IP code	IP54		
Options	DALI, CLO, emergency lighting and possibility to integrate parking systems.		
Warranty	L85B10 / at least 5 year warranty / Ta 35 °C		
Expected life span	It is possible to reach 100,000 hours		
BREEAM norms	Yes		

On the initial performance, a tolerance of ± 10% is applicable, according to IEC. Technical data subject to change.

CLEVER
SWIFT
SOLID

Richard - EN v1.1 01/09/21

RICHARD PARKING LED

IP54

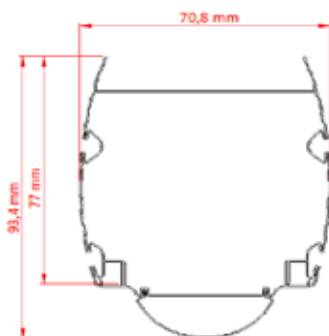
RICHARD WIDE

P

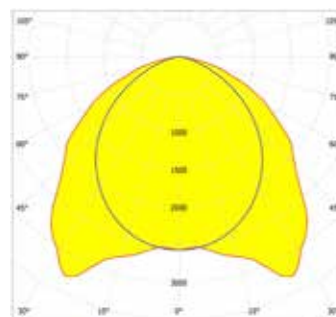
Luminaire



Dimensions



Polar diagram



Product code IP20 - IP40	Length (mm)	Wattage (W)	Output flux (lm)	Lumen/Watt
LHPx-W-101	1,030	11.4 - 61.9	1,900 - 8,950	141 - 166
LHPx-W-151	1,530	11.3 - 92.2	1,900 - 13,400	141 - 185
LHPx-W-152	1,530	16.6 - 122.4	2,800 - 19,250	153 - 181
LHPx-W-201	2,030	11.5 - 105.7	1,900 - 15,900	146 - 176

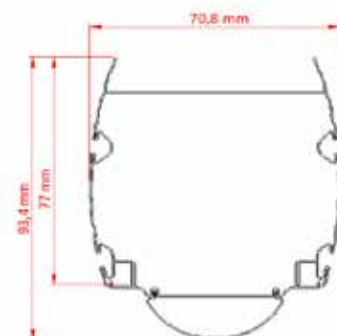
RICHARD X-WIDE

P

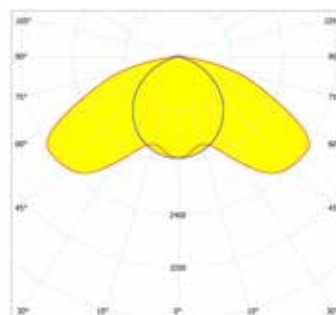
Luminaire



Dimensions



Polar diagram



Product code IP20 - IP40	Length (mm)	Wattage (W)	Output flux (lm)	Lumen/Watt
LHPx-XW-101	1,030	12,8 - 53,3	1,900 - 7,400	139 - 147
LHPx-XW-151	1,530	12,4 - 74,5	1,900 - 10,500	141 - 148
LHPx-XW-152	1,530	12,4 - 91,9	2,800 - 14,000	152 - 160
LHPx-XW-201	2,030	12,5 - 102,4	1,900 - 14,400	140 - 152

On the initial performance, a tolerance of $\pm 10\%$ is applicable, according to IEC. Technical data subject to change.

CLEVER
SWIFT
SOLID

Richard - EN v1.1 01/09/21

RICHARD PARKING LED

IP54

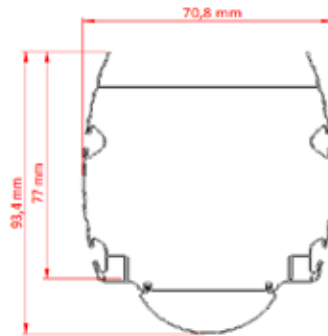
RICHARD DIFFUSE

P

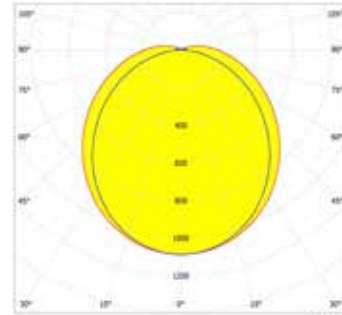
Luminaire



Dimensions



Polar diagram



Product code IP20 - IP40	Length (mm)	Wattage (W)	Output flux (lm)	Lumen/Watt
LHPx-D101	1,030	11.4 - 61,9	1,700 - 8,350	129 - 156
LHPx-D151	1,530	11.3 - 92.2	1,700 - 12,550	129 - 173
LHPx-D152	1,530	16.6 - 122.4	2,600 - 18,050	140 - 169
LHPx-D201	2,030	11.5 - 105.7	1,700 - 14,900	134 - 165

On the initial performance, a tolerance of $\pm 10\%$ is applicable, according to IEC. Technical data subject to change.

AMSTERDAM RAI



CLEVER
SWIFT
SOLID

Richard - EN v1.1 01/09/21