

TABLE OF CONTENTS

MAGNUS LINEAIR LED

Magnus Narrow	4
Magnus Semi Wide	4
Magnus Wide	5
Magnus X-Wide	5
Magnus Diffuse	6
Magnus Circular	6

MAGNUS SULFHUR RESISTANT

Magnus Narrow	10
Magnus Semi Wide	10
Magnus Wide	11
Magnus X-Wide	11
Magnus Diffuse	12
Magnus Circular	12

MAGNUS SPORT LED

Magnus Sport Narrow	14
Magnus Sport Semi Wide	14
Magnus Sport Wide	15
Magnus Sport X-Wide	15
Magnus Sport Diffuse	16
Magnus Sport Circular	16

MAGNUS LINEAR LED

IP40 - IP54 - IP65

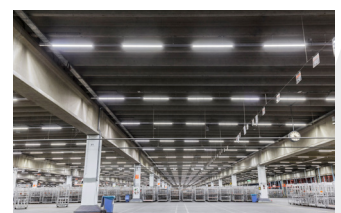
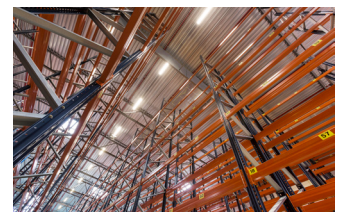
CE  LM-79 LM-80



The Magnus offers carefree LED lighting for years and years. These linear LED luminaires still look brand new after years of service, and they can be applied in every thinkable industrial space. From car parks and production halls to warehouses, shopping centres, sports halls and swimming pools: Veko always has the best linear LED solution available. By applying aluminium end caps, the luminaires can be connected together. Continuous lights lines are thus realized.

Good lighting results in job satisfaction. With its unique lumen per watt output, Magnus excels in luminaire efficiency and uniformity. This truly stimulates productivity! The use of aluminium in our linear lighting also ensures a great temperature management: Veko LED lighting operates effortlessly at ambient temperatures from -20 °C - +35 °C or even higher. At Veko, an warranty of 10 years is therefore possible.

To save even more on your energy costs, choose a light management system. Thanks to intelligent control, your main and emergency lighting requires less maintenance and the dimming function of the luminaires operates more efficiently. Veko's lighting lines are not only some of the most energy-efficient in the world, but also the most sustainable. The equipment is supplied with virtually no packaging, is 100 per cent recyclable and is easily refurbished, even after 45 years.



CLEVER
SWIFT
SOLID

Technical information

Length	1,030 mm	1,530 mm	2,030 mm
Output flux	1,700 - 19,500 lm		
Wattage	11.3 - 122.4 W		
Voltage	220 - 240 V		
Frequency	50 ÷ 60 Hz		
Power factor	>0.9		
Drivers	Signify or Osram		
Operational temperature*	-20 °C to +35 °C (on request higher or lower temperatures possible)		
Weight	approx. 7.3 pounds per m, including profile and accessories		
Application	Industrial areas, sports venues, swimming pools, retail and cold stores		
Installation height	2 - 20 m		
Colour temperature	Natural white (± 4,000 K) On request other colour temperatures possible (3,000 - 6,500 K)		
Colour Rendering Index (CRI)	>80 (>90 possible)		
Lens options	Narrow, Semi Wide, Wide, X-Wide, Diffuse and Circular		
Cover material	Polycarbonate, PMMA		
Material	Untreated aluminium		
Colour	Untreated aluminium, anodized and RAL colours		
Impact resistance	IK07 / IK10		
IP code	IP40 - IP54		
Options	DALI, CLO, corridor, centralized and decentralized emergency lighting		
Warranty	L85B10 / at least 5 year warranty / Ta 35 °C		
Expected life span	It is possible to reach 100,000 hours		
BREEAM norms	Yes		
NOC*NSF B1 (Ballproof)	Yes		

* Fixtures equipped with decentralized emergency lighting batteries have an operational temperature of +5 °C to +25 °C.

Versions

Lens optics	Application	Installation height	Impact resistance
Magnus Narrow	High racks and open areas	6 - 20 meter	IK07 / IK10
Magnus Semi Wide	High racks and open areas	5 - 15 meter	IK07 / IK10
Magnus Wide	Open areas	2 - 10 meter	IK07 / IK10
Magnus X-Wide	Open areas	2 - 6 meter	IK10
Magnus Diffuse	Open areas	2 - 10 meter	IK07 / IK10
Magnus Circular	Open areas	2 - 10 meter	IK07 / IK10

On the initial performance, a tolerance of ± 10% is applicable, according to IEC. Technical data subject to change.

CLEVER
SWIFT
SOLID

MAGNUS LINEAR LED

IP40 - IP54 - IP65

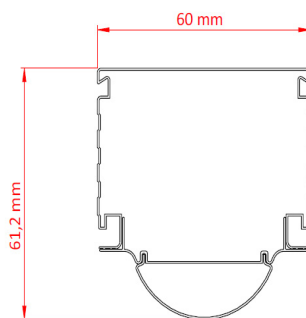
MAGNUS NARROW



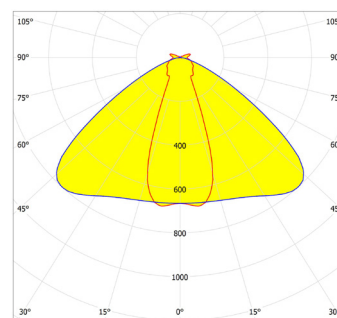
Luminaire



Dimensions



Polar diagram



Product code IP40	Product code IP54	Product code IP65	Length (mm)	Wattage (W)	Output flux (lm)	Lumen/Watt
LN-N-312	LH-N-312	LW-N-312	1.030	11,4 - 61,9	1.800 - 8.300	133 - 154
LN-N-352	LH-N-352	LW-N-352	1.530	11,3 - 92,2	1.800 - 12.400	133 - 171
LN-N-355	LH-N-355	LW-N-355	1.530	16,6 - 122,4	2.700 - 17.850	145 - 167
LN-N-362	LH-N-362	LW-N-362	2.030	11,5 - 105,7	1.800 - 14.750	138 - 164

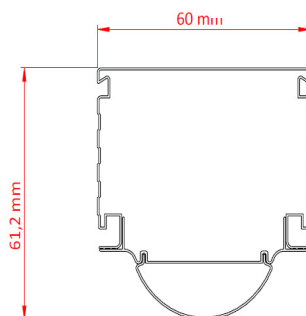
MAGNUS SEMI WIDE



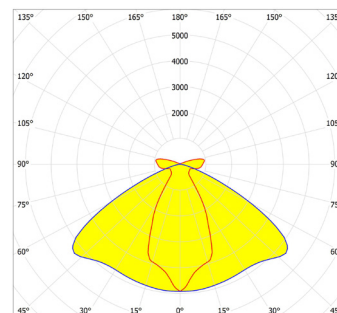
Luminaire



Dimensions



Polar diagram



Product code IP40	Product code IP54	Product code IP65	Length (mm)	Wattage (W)	Output flux (lm)	Lumen/Watt
LN-S-312	LH-S-312	LW-S-312	1,030	11.4 - 61.9	1,700 - 8,000	130 - 149
LN-S-352	LH-S-352	LW-S-352	1,530	11.3 - 92.2	1,700 - 12,000	130 - 166
LN-S-355	LH-S-355	LW-S-355	1,530	16.6 - 122.4	2,600 - 17,250	141 - 162
LN-S-362	LH-S-362	LW-S-362	2,030	11.5 - 105.7	1,700 - 14,250	135 - 158

On the initial performance, a tolerance of $\pm 10\%$ is applicable, according to IEC. Technical data subject to change.

CLEVER
SWIFT
SOLID

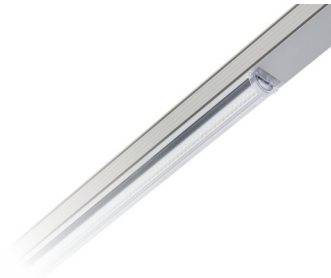
MAGNUS LINEAR LED

IP40 - IP54 - IP65

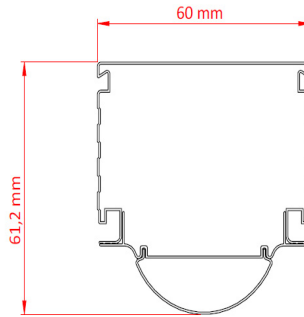
MAGNUS WIDE



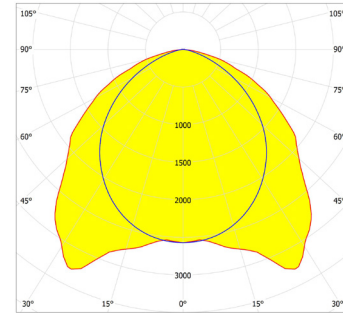
Luminaire



Dimensions



Polar diagram



Product code IP40	Product code IP54	Product code IP65	Length (mm)	Wattage (W)	Output flux (lm)	Lumen/Watt
LN-W-312	LH-W-312	LW-W-312	1,030	11.4 - 61.9	1,900 - 8,950	141 - 166
LN-W-352	LH-W-352	LW-W-352	1,530	11.3 - 92.2	1,900 - 13,400	141 - 185
LN-W-355	LH-W-355	LW-W-355	1,530	16.6 - 122.4	2,800 - 19,250	153 - 181
LN-W-362	LH-W-362	LW-W-362	2,030	11.5 - 105.7	1,900 - 15,900	146 - 176

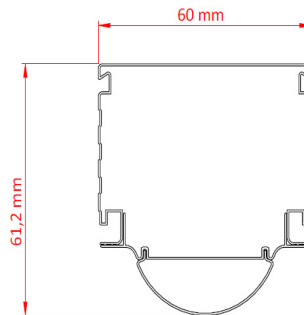
MAGNUS X-WIDE



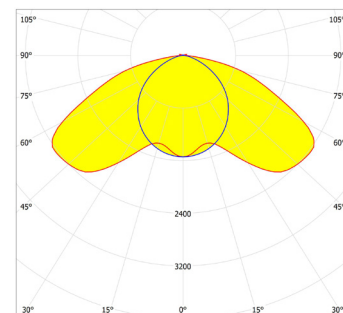
Luminaire



Dimensions



Polar diagram



Product code IP40	Product code IP54	Product code IP65	Length (mm)	Wattage (W)	Output flux (lm)	Lumen/Watt
LN-XW-312	LH-XW-312	LW-XW-312	1,030	12.8 - 53.3	1,900 - 7,400	139 - 147
LN-XW-352	LH-XW-352	LW-XW-352	1,530	12.4 - 74.5	1,900 - 10,500	141 - 148
LN-XW-355	LH-XW-355	LW-XW-355	1,530	12.4 - 91.9	2,800 - 14,000	152 - 160
LN-XW-362	LH-XW-362	LW-XW-362	2,030	12.5 - 102.4	1,900 - 14,400	140 - 152

On the initial performance, a tolerance of $\pm 10\%$ is applicable, according to IEC. Technical data subject to change.

CLEVER
SWIFT
SOLID

MAGNUS LINEAR LED

IP40 - IP54 - IP65

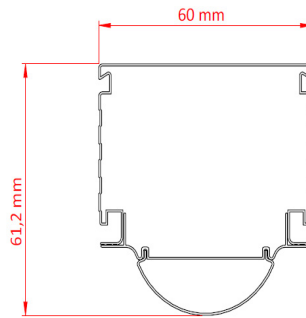
MAGNUS DIFFUSE



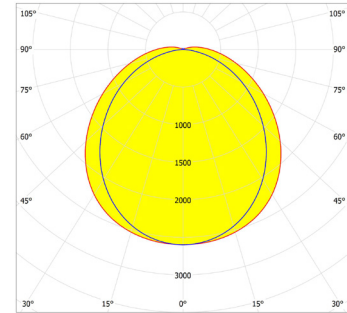
Luminaire



Dimensions



Polar diagram



Product code IP40	Product code IP54	Product code IP65	Length (mm)	Wattage (W)	Output flux (lm)	Lumen/Watt
LN-D-312	LH-D-312	LW-D-312	1,030	11.4 - 61.9	1,900 - 9,050	141 - 168
LN-D-352	LH-D-352	LW-D-352	1,530	11.3 - 92.2	1,900 - 13,550	141 - 187
LN-D-355	LH-D-355	LW-D-355	1,530	16.6 - 122.4	2,800 - 19,500	153 - 182
LN-D-362	LH-D-362	LW-D-362	2,030	11.5 - 105.7	1,900 - 16,100	146 - 178

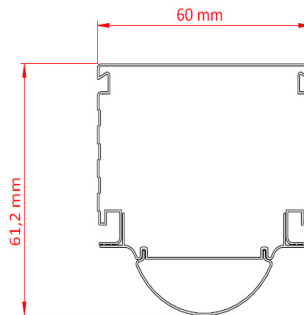
MAGNUS CIRCULAR



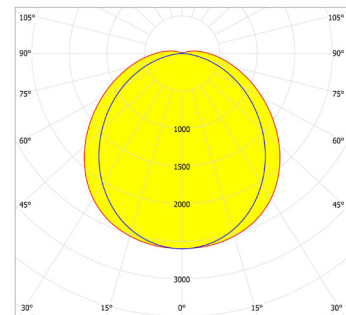
Luminaire



Dimensions



Polar diagram



Product code IP40	Product code IP54	Product code IP65	Length (mm)	Wattage (W)	Output flux (lm)	Lumen/Watt
LN-C-312	LH-C-312	LW-C-312	1,030	11.4 - 61.9	1,900 - 9,050	141 - 168
LN-C-352	LH-C-352	LW-C-352	1,530	11.3 - 92.2	1,900 - 13,550	141 - 187
LN-C-355	LH-C-355	LW-C-355	1,530	16.6 - 122.4	2,800 - 19,500	153 - 182
LN-C-362	LH-C-362	LW-C-362	2,030	11.5 - 105.7	1,900 - 16,100	146 - 178

On the initial performance, a tolerance of $\pm 10\%$ is applicable, according to IEC. Technical data subject to change.

CLEVER
SWIFT
SOLID

MAGNUS SULPHUR RESISTANT

IP40 - IP54

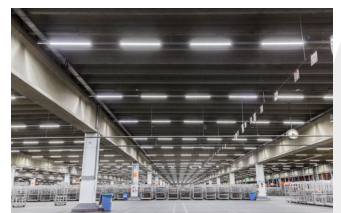
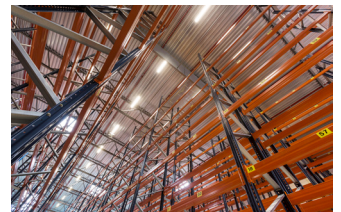
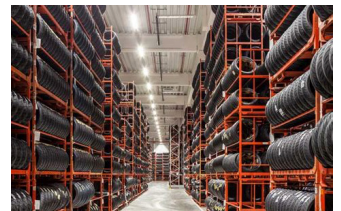
CE  LM-79 LM-80



LED lighting and tire storage is not a good combination. Of course, Veko offers an excellent solution for this as well!

Tire storage involves sulphur vapour. These sulphur vapours have a negative impact on the aging process of the LED; the LED emits less light much faster. Therefore, for locations with sulphur vapours, Veko has developed a fixture with high sulphur vapour resistance. Note! It is not a sulphur-resistant fixture.

For additional savings on your energy costs, choose a Light Management System. Your lighting is intelligently controlled, making maintenance of the (emergency) lighting and dimming of the fixtures more efficient. A Veko light line is not only among the most energy-efficient in the world but also the most sustainable. The lighting is delivered practically unpackaged, is 100% recyclable, and can be easily renovated, even after 45 years.



CLEVER
SWIFT
SOLID

Technical aspects

Length	1.530 mm
Output flux	max. 10.000 lm
Wattage	12,6-59,4 W
Voltage	220 - 240 V
Frequency	50 ÷ 60 Hz
Power factor	>0.9
Drivers	Signify or Osram
Operational temperature*	max. 25 °C
Weight	2,5 - 3,3 kg per m, including profile and accessories
Application	Industrial spaces
Installation height	2 - 20 m
Colour temperature	Natural white (± 4.000 K)
Colour Rendering Index (CRI)	>80
Lens option	Narrow, Semi Wide, Wide, X-Wide, Diffuse en Circular
Cover material	Polycarbonate, PMMA
Material	Untreated aluminium
Colour	Untreated aluminium, anodized en RAL colours
Impact resistance	IK07 / IK10
IP code	IP40 - IP54
Options	DALI, CLO, corridor, Centralized emergency lighting
Warranty	5 years
Expected life spanr	44.000 L85
BREEAM	Yes
Conditions	H2S, 15ppm, 504hr 25°C , 75%

Versions

Lens optics	Applications	Installation height	Impact resistance
Magnus Narrow	Open spaces and high racks	6 - 20 meter	IK07 / IK10
Magnus Semi Wide	Open spaces and high racks	5 - 15 meter	IK07 / IK10
Magnus Wide	Open spaces	2 - 10 meter	IK07 / IK10
Magnus X-Wide	Open spaces	2 - 6 meter	IK10
Magnus Diffuse	Open spaces	2 - 10 meter	IK07 / IK10
Magnus Circular	Open spaces	2 - 10 meter	IK07 / IK10

On the initial performance, a tolerance of ± 10% is applicable, according to IEC. Technical data subject to change.

CLEVER
SWIFT
SOLID

MAGNUS SULPHUR RESISTANT

IP40 - IP54

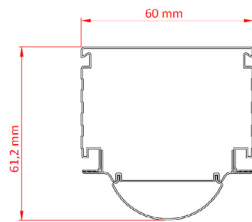
MAGNUS NARROW



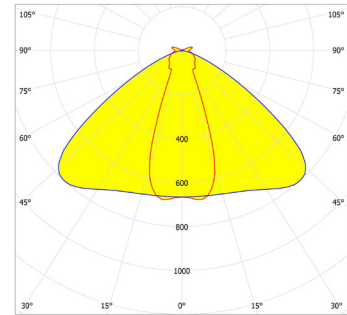
Luminaire



Dimensions



Polar diagram



Product code IP40	Product code IP54	Length (mm)	Wattage(W)	Output flux (lm)	Lumen/Watt
LZN-N-159	LZH-N-159	1,53	12.6-59.4	1650-9350	131-158

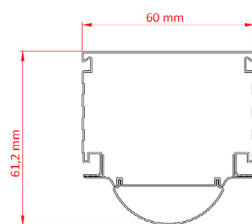
MAGNUS SEMI WIDE



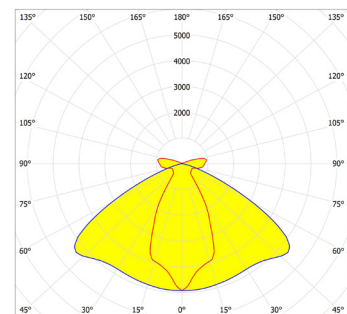
Luminaire



Dimensions



Polar diagram



Product code IP40	Product code IP54	Length (mm)	Wattage (W)	Output flux (lm)	Lumen/Watt
LZN-S-159	LZH-S-159	1,53	12.6-59.4	1650-9450	132-160

On the initial performance, a tolerance of $\pm 10\%$ is applicable, according to IEC. Technical data subject to change.

CLEVER
SWIFT
SOLID

MAGNUS SULPHUR RESISTANT

IP40 - IP54

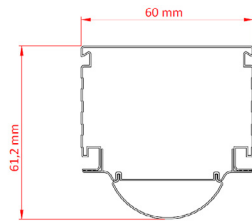
MAGNUS WIDE



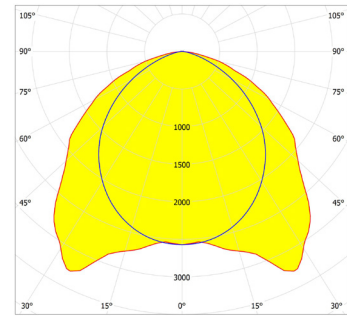
Luminaire



Dimensions



Polar diagram



Product code IP40	Product code IP54	Length (mm)	Wattage (W)	Output flux (lm)	Lumen/Watt
LZN-W-159	LZH-W-159	1,53	12.6-59.4	1700-9850	137-167

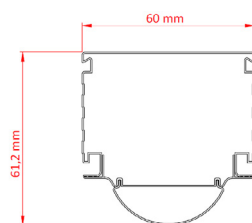
MAGNUS X-WIDE



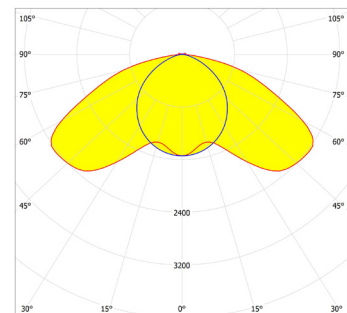
Luminaire



Dimensions



Polar diagram



Product code IP40	Product code IP54	Length (mm)	Wattage (W)	Output flux (lm)	Lumen/Watt
LZN-XW-159	LZH-XW-159	1,53	12.6-59.4	1700-9700	135-163

On the initial performance, a tolerance of $\pm 10\%$ is applicable, according to IEC. Technical data subject to change.

CLEVER
SWIFT
SOLID

MAGNUS SULPHUR RESISTANT

IP40 - IP54

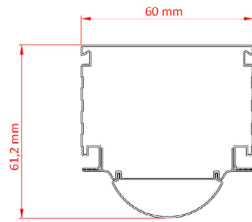
MAGNUS DIFFUSE



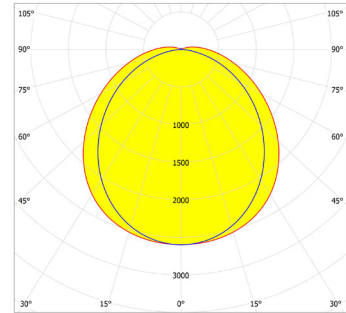
Luminaire



Dimensions



Polar diagram



Product code IP40	Product code IP54	Length (mm)	Wattage (W)	Output flux (lm)	Lumen/Watt
LZN-D-159	LZH-D-159	1,53	12.6-59.4	1600-9250	129-156

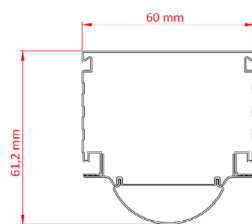
MAGNUS CIRCULAR



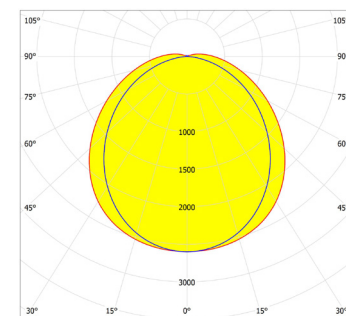
Luminaire



Dimensions



Polar diagram



Product code IP40	Product code IP54	Length (mm)	Wattage(W)	Output flux (lm)	Lumen/Watt
LZN-C-159	LZH-C-159	1,53	12.6-59.4	1800-10000	141-168

On the initial performance, a tolerance of $\pm 10\%$ is applicable, according to IEC. Technical data subject to change.

CLEVER
SWIFT
SOLID

MAGNUS SPORT LED

IP40 - IP54 - IP65

CE  05 LM-79 LM-80



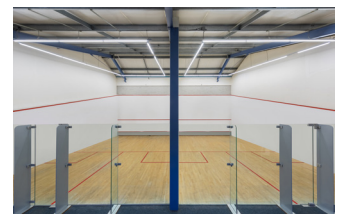
Properly illuminating sports halls and swimming pools is a special skill. Moreover, these venues are subject to specific and stringent safety requirements covering such factors as impact resistance and protection from chlorine. Veko has developed robust LED luminaires, certified as “ballproof” (IK10 rating) by DEKRA and VDE.

The Magnus Sport line, for use in sports halls, has a profile of untreated aluminium and incorporates extra protection of the modules to guarantee impact resistance.

For swimming pools Veko takes it one step further. This version is anodised and chlorine-resistant by the use of a special coating. All seals are moisture-resistant. Suitable suspension material is supplied.

For greater flexibility, choose a light management system. This offers intelligent control, with easy programming of multiple lighting scenes for the ideal illumination of any sport or activity in a multipurpose venue.

Veko’s linear lighting are not only some of the most energy-efficient in the world, but also the most sustainable. The equipment is supplied with virtually no packaging, is 100 per cent recyclable and is easily refurbished, even after 45 years.



CLEVER
SWIFT
SOLID

Technical information

Length	1,030 mm	1,530 mm	2,030 mm
Output flux	1,700 - 19,500 lm		
Wattage	11.3 - 122.4 W		
Voltage	220 - 240 V		
Frequency	50 ÷ 60 Hz		
Power factor	>0.9		
Drivers	Signify or Osram		
Operational temperature*	-20 °C to +35 °C (on request higher or lower temperatures possible)		
Weight	Approx. 2.5-3.3 kg/m, including profile and accessories		
Application	Sports venues and swimming pools		
Installation height	2 - 20 m		
Colour temperature	Natural white (± 4,000 K) On request other colour temperatures possible (3,000 - 6,500 K)		
Colour Rendering Index (CRI)	>80 (>90 possible)		
Lens options	Narrow, Semi Wide, Wide, X-Wide, Diffuse and Circular		
Cover Material	Polycarbonate		
Material	Untreated aluminium (sports venues) / anodized (swimming pools)		
Colour	Untreated aluminium, anodized and RAL colours		
Impact resistance	IK10		
IP code	IP40 - IP54 - IP65		
Options	DALI, CLO, corridor, central and decentral emergency lighting		
Warranty	L85B10 / at least 5 year warranty / Ta 35 °C		
Expected life span	It is possible to reach 100,000 hours		
BREEAM norms	Yes		
NOC*NSF B1 (Ballproof)	Yes		

* Fixtures equipped with decentralized emergency lighting batteries have an operational temperature of +5 °C to +25 °C.

Versions

Lens optics	Application	Installation height	Impact resistance
Magnus Sport Narrow	Open areas	6 - 20 meter	IK10
Magnus Sport Semi Wide	Open areas	5 - 15 meter	IK10
Magnus Sport Wide	Open areas	2 - 10 meter	IK10
Magnus Sport X-Wide	Open areas	2 - 6 meter	IK10
Magnus Sport Diffuse	Open areas	2 - 10 meter	IK10
Magnus Sport Circular	Open areas	2 - 10 meter	IK10

On the initial performance, a tolerance of ± 10% is applicable, according to IEC. Technical data subject to change.

CLEVER
SWIFT
SOLID

MAGNUS SPORT LED

IP40 - IP54 - IP65

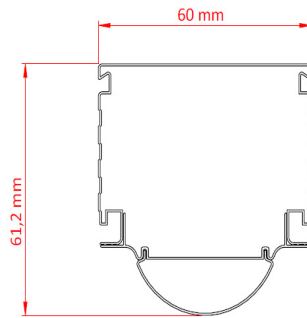
MAGNUS SPORT NARROW



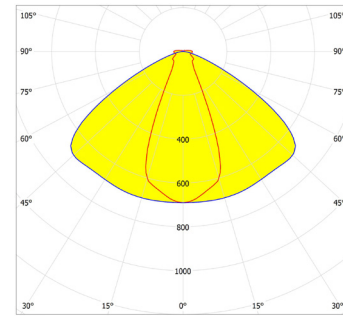
Luminaire



Dimensions



Polar diagram

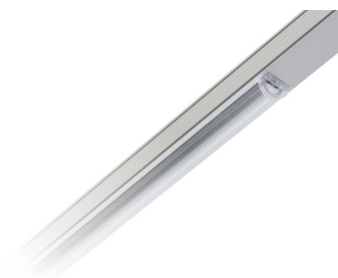


Product code sports venues IP40	Product code swimming pools IP54	Product code swimming pools IP65	Length (mm)	Wattage (W)	Output flux (lm)	Lumen/Watt
LSN-N-312	LSH-N-312	LSW-N-312	1,030	11.4 - 61.9	1,800 - 8,300	133 - 154
LSN-N-352	LSH-N-352	LSW-N-352	1,530	11.3 - 92.2	1,800 - 12,400	133 - 171
LSN-N-355	LSH-N-355	LSW-N-355	1,530	16.6 - 122.4	2,700 - 17,850	145 - 167
LSN-N-362	LSH-N-362	LSW-N-362	2,030	11.5 - 105.7	1,800 - 14,750	138 - 164

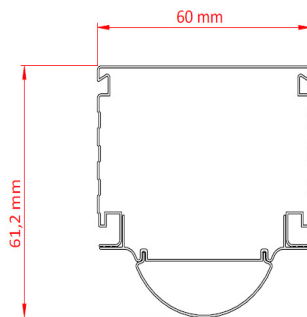
MAGNUS SPORT SEMI WIDE



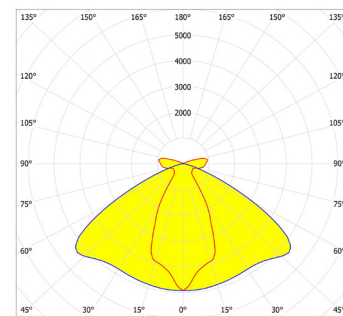
Luminaire



Dimensions



Polar diagram



Product code sports venues IP40	Product code swimming pools IP54	Product code swimming pools IP65	Length (mm)	Wattage (W)	Output flux (lm)	Lumen/Watt
LSN-S-312	LSH-S-312	LSW-S-312	1,030	11.4 - 61.9	1,700 - 8,000	130 - 149
LSN-S-352	LSH-S-352	LSW-S-352	1,530	11.3 - 92.2	1,700 - 12,000	130 - 166
LSN-S-355	LSH-S-355	LSW-S-355	1,530	16.6 - 122.4	2,600 - 17,250	141 - 162
LSN-S-362	LSH-S-362	LSW-S-362	2,030	11.5 - 105.7	1,700 - 14,250	135 - 158

On the initial performance, a tolerance of $\pm 10\%$ is applicable, according to IEC. Technical data subject to change.

CLEVER
SWIFT
SOLID

MAGNUS SPORT LED

IP40 - IP54 - IP65

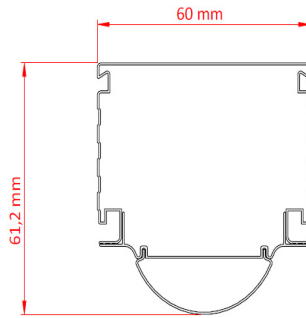
MAGNUS SPORT WIDE



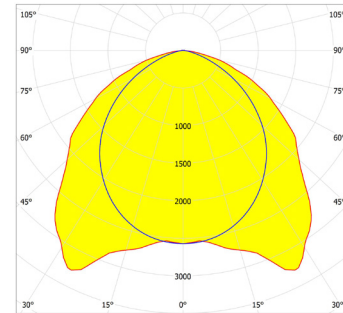
Luminaire



Dimensions



Polar diagram



Product code sports venues IP40	Product code swimming pools IP54	Product code swimming pools IP65	Length (mm)	Wattage (W)	Output flux (lm)	Lumen/Watt
LSN-W-312	LSH-W-312	LSW-W-312	1,030	11.4 - 61.9	1,900 - 8,950	141 - 166
LSN-W-352	LSH-W-352	LSW-W-352	1,530	11.3 - 92.2	1,900 - 13,400	141 - 185
LSN-W-355	LSH-W-355	LSW-W-355	1,530	16.6 - 122.4	2,800 - 19,250	153 - 181
LSN-W-362	LSH-W-362	LSW-W-362	2,030	11.5 - 105.7	1,900 - 15,900	146 - 176

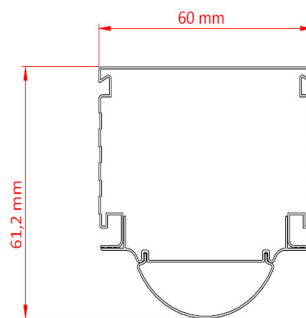
MAGNUS SPORT X-WIDE



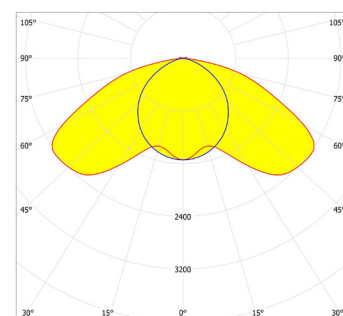
Luminaire



Dimensions



Polar diagram



Product code sports venues IP40	Product code swimming pools IP54	Product code swimming pools IP65	Length (mm)	Wattage (W)	Output flux (lm)	Lumen/Watt
LSN-XW-312	LSH-XW-312	LSW-XW-312	1,030	12.8 - 53.3	1,900 - 7,400	139 - 147
LSN-XW-352	LSH-XW-352	LSW-XW-352	1,530	12.4 - 74.5	1,900 - 10,500	141 - 148
LSN-XW-355	LSH-XW-355	LSW-XW-355	1,530	12.4 - 91.9	2,800 - 14,000	152 - 160
LSN-XW-362	LSH-XW-362	LSW-XW-362	2,030	12.5 - 102.4	1,900 - 14,400	140 - 152

On the initial performance, a tolerance of $\pm 10\%$ is applicable, according to IEC. Technical data subject to change.

CLEVER
SWIFT
SOLID

MAGNUS SPORT LED

IP40 - IP54 - IP65

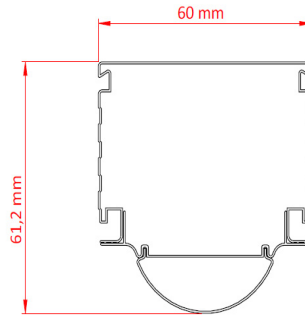
MAGNUS SPORT DIFFUSE



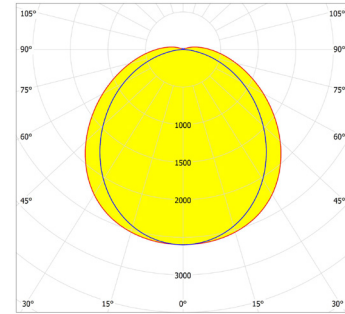
Luminaire



Dimensions



Polar diagram



Product code sports venues IP40	Product code swimming pools IP54	Product code swimming pools IP65	Length (mm)	Wattage (W)	Output flux (lm)	Lumen/Watt
LSN-D-312	LSH-D-312	LSW-D-312	1,030	11.4 - 61.9	1,700 - 8,350	129 - 156
LSN-D-352	LSH-D-352	LSW-D-352	1,530	11.3 - 92.2	1,700 - 12,550	129 - 173
LSN-D-355	LSH-D-355	LSW-D-355	1,530	16.6 - 122.4	2,600 - 18,050	140 - 169
LSN-D-362	LSH-D-362	LSW-D-362	2,030	11.5 - 105.7	1,700 - 14,900	134 - 165

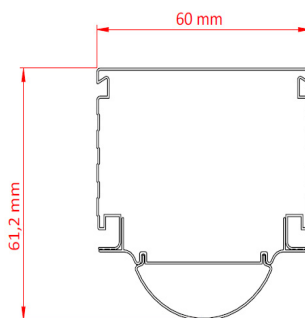
MAGNUS SPORT CIRCULAR



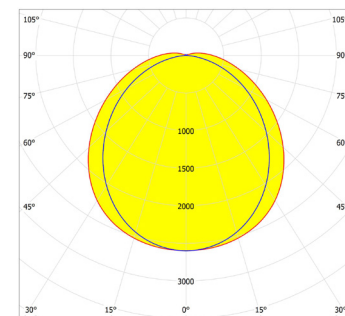
Luminaire



Dimensions



Polar diagram



Product code sports venues IP40	Product code swimming pools IP54	Product code swimming pools IP65	Length (mm)	Wattage (W)	Output flux (lm)	Lumen/Watt
LSN-C-312	LSH-C-312	LSW-C-312	1,030	11.4 - 61.9	1,900 - 9,050	141 - 168
LSN-C-352	LSH-C-352	LSW-C-352	1,530	11.3 - 92.2	1,900 - 13,550	141 - 187
LSN-C-355	LSH-C-355	LSW-C-355	1,530	16.6 - 122.4	2,800 - 19,500	153 - 182
LSN-C-362	LSH-C-362	LSW-C-362	2,030	11.5 - 105.7	1,900 - 16,100	146 - 178

On the initial performance, a tolerance of $\pm 10\%$ is applicable, according to IEC. Technical data subject to change.

CLEVER
SWIFT
SOLID