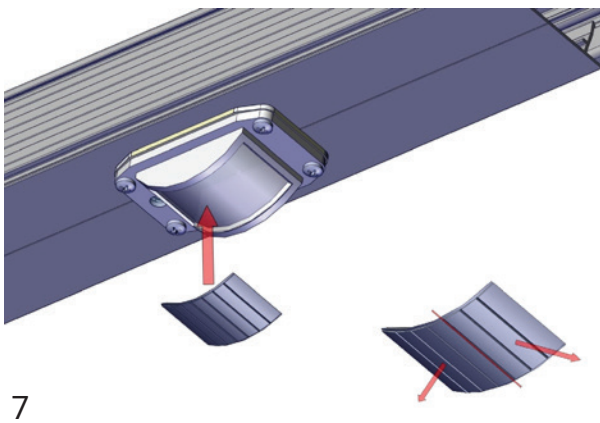
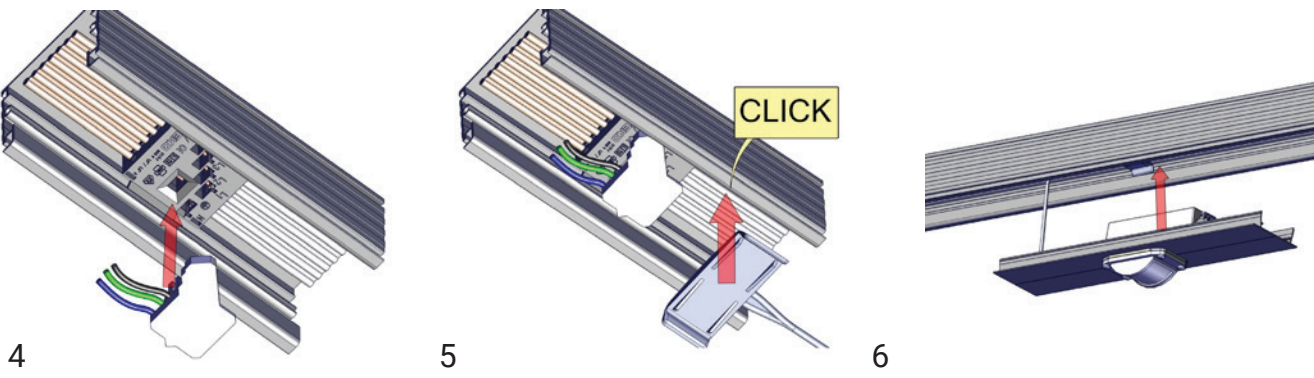
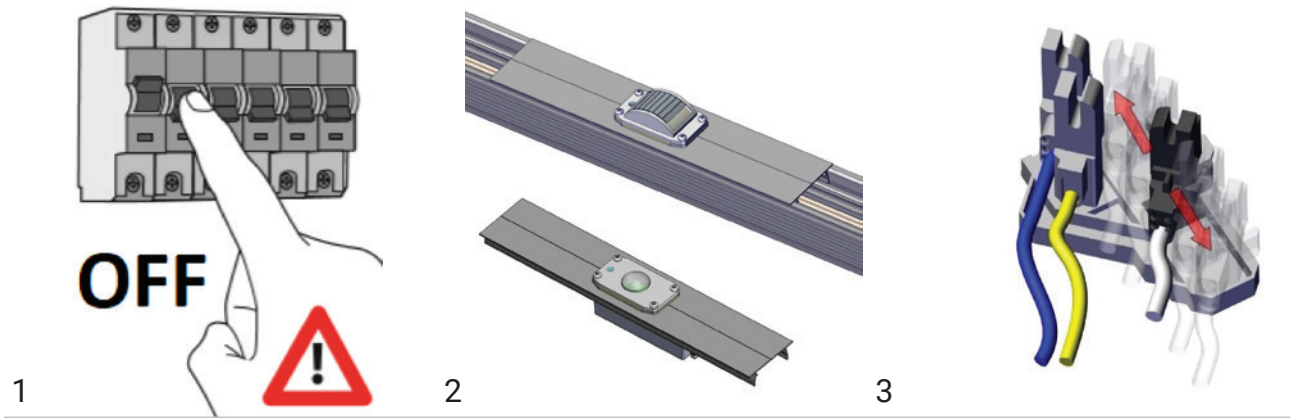
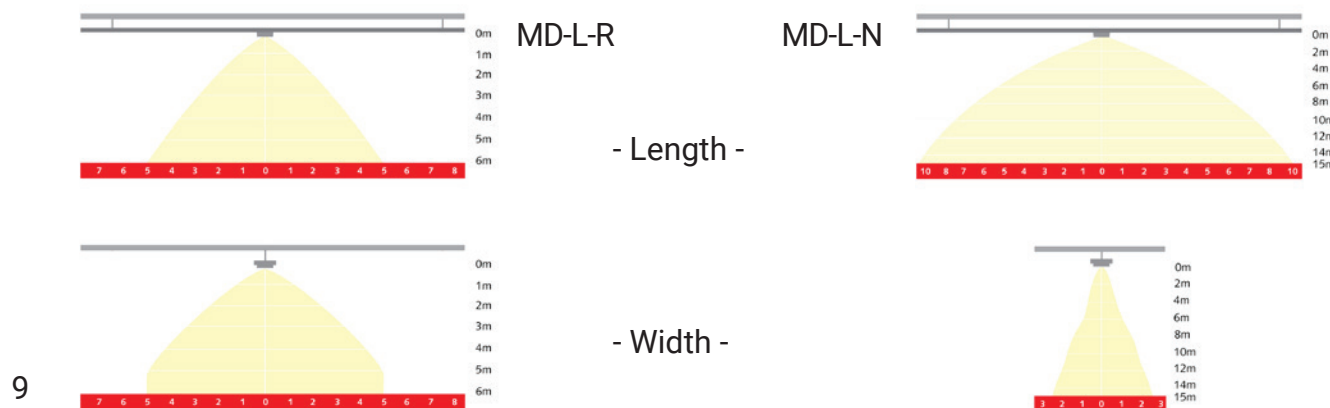


MANUAL INSTALLATION VEKO SENSOR



Technical data	
Power (W)	1,5 W < 4 W (Switched off- < on)
Voltage (V)	220-240 V
Length (mm)	300 mm
Frequency (Hz)	50 ÷ 60 Hz
Circuit	6 A
Sensitivity settings	5 (standard max. sensitivity)
Twilight circuit	Adjustable in 9 steps 0-1.000 Lux
Switch-off delay relay	Relay 0-99 minutes
Environment application	-25 °C - + 35 °C
Corridor function / dynamic switch (example: 10-100 %)	In combination with DALI driver and control gear
Programming	Readout and re-programmable by colour coding with LED in sensor
ENEC certification	In application at DEKRA
Warranty	5 years



This page applies to all MD-L subtypes and configurations.

- 1 Switch off the power supply before connecting the light system.
- 2 Example of a sensor. Note: sensor type and/or linear lighting profile may vary.
- 3 Ensure correct position of poles and wiring.

- 4 Plug the connector into the flat cable.
- 5 Press and attach the safety clip for emergencies in the continuous-row lighting profile.
- 6 Install the sensor in the profile.
- 7 In the case of the narrow lens, a cover can be used to limit the range of the

- 8 sensor, if necessary. This cover can be cut to size with pliers or scissors on the break line to achieve the desired range and angle of the sensor.
- 8 Technical data.
- 9 Sensor range: MD-L-R (round lens)
MD-L-N (narrow lens)



MANUAL CONFIGURATION MD-L-R / MD-L-N

When the MD-L-R / MD-L-N is plugged into the light line and connected to power, it will fully function and perform as a motion detection sensor. All Veko sensors have a standard configuration. Some of these features are manual adjustable with a remote control (TR67). These functions are described in the manual below. You can use this manual on site when a re-configuration is needed, a maintenance test is required, or the lights need to be manually overruled.

<p>1 Switch off delay*</p> <p>The duration of switch on after detection can be set between 1 and max. 99 minutes.</p>	<p>Red Fast Blink, Blue Solid, 0-9 keypad, OK Save, C Cancel, 1x, 3 flashes / Colour, Red, Green, Red, Blue, 1x lock icon.</p>
<p>2 Sensitivity detection*</p> <p>The sensitivity of the movement detection can be adjusted according to your preferences.</p>	<p>Red Fast Blink, Green Solid, 0-5 keypad, OK Save, C Cancel, 1x, 3 flashes / Colour, Red, Green, Red, Blue, 1x lock icon.</p>
<p>3 Sensitivity twilight mode*</p> <p>The sensitivity of switch on relative to the available daylight can be adjusted.</p>	<p>Red Fast Blink, Red Solid, 0-9 keypad, OK Save, C Cancel, 1x, 3 flashes / Colour, Red, Green, Red, Blue, 1x lock icon.</p>
<p>4 Sensitivity twilight mode off*</p> <p>Switch off twilight mode. Note: standard/factory setting is: off.</p>	<p>Red Fast Blink, Red Solid, OFF button, 3 flashes / Colour, Red, Green, Red, Blue, 1x lock icon.</p>
<p>5 Check the programmed setting* of:</p> <p>5.1 Time frame light on</p> <p>5.2 Detection accuracy</p> <p>5.3 Sensitivity twilight mode</p> <p>5.4 Hardware version</p>	<p>Green Fast Blink, Blue Solid, Green, Green, Green, Red, Blue, Green, Blue, H, Blue.</p> <p>Flashes blue colour X times for set duration. Long blink for first digit and short blink for second digit.</p> <p>Flashes blue colour for 1 second pulse mode.</p> <p>Flashes green colour X times for set detection sensitivity.</p> <p>Flashes red colour X times for set Lux level.</p> <p>Flashes 3x red/blue colour when twilight mode is switched off.</p> <p>1x= Relay Sensor 2x= Veko System Sensor 3x= Smart Cast Sensor</p>
<p>6 Overrule function</p> <p>Overrule all current settings and switched all lighting on or off for a set amount of hours.</p>	<p>Blue Fast Blink, Blue Slow Blink, 0-9 keypad, C Return to normal, ON Lighting switched ON for x hours, OFF Lighting switched OFF for x hours, Green Solid, Red Solid, Save, Return to normal, 1x.</p>
<p>7 Test functions</p> <p>The lights will flash on and off for 10 sec.</p>	<p>Blue 3x Flash, Hold until light responds, 8 Factory settings, Green/Red Blink, OK Save, C Return to normal, 1x.</p>

* Automatically returns to normal mode, if there is no activity for 20 seconds. Settings will be saved.



